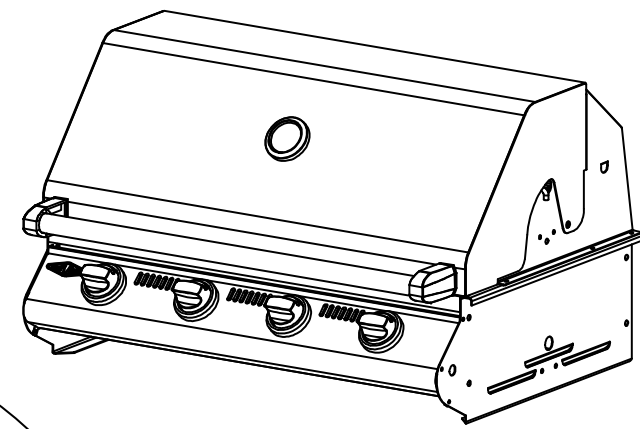




# 1200 Series Build-In BBQ ..... Instructions

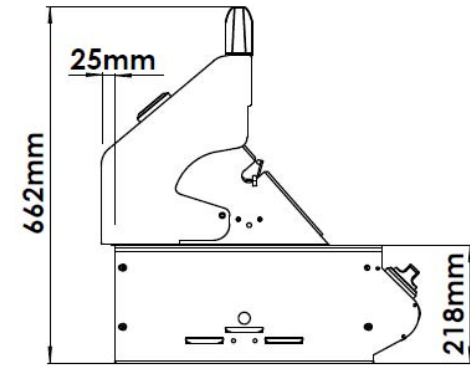
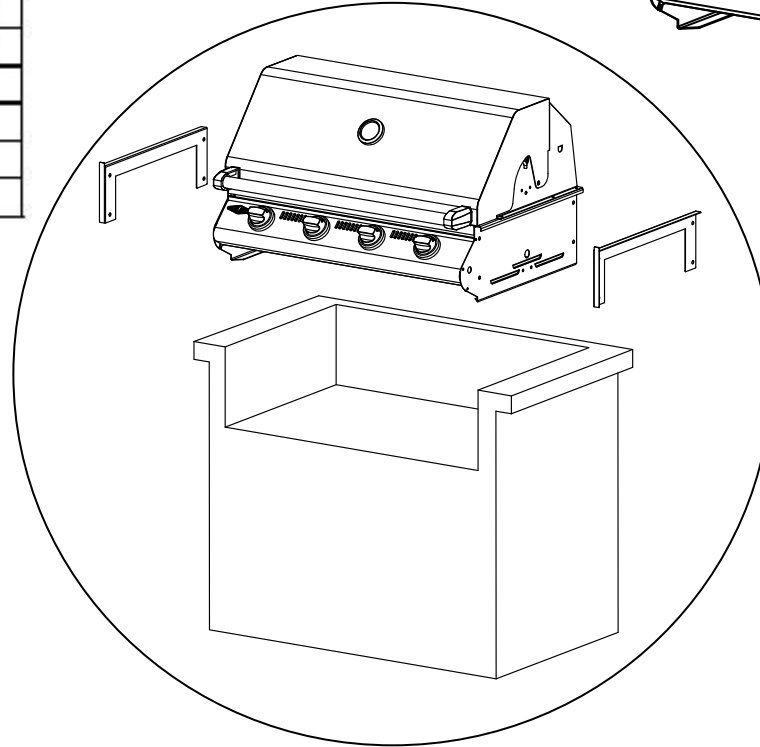
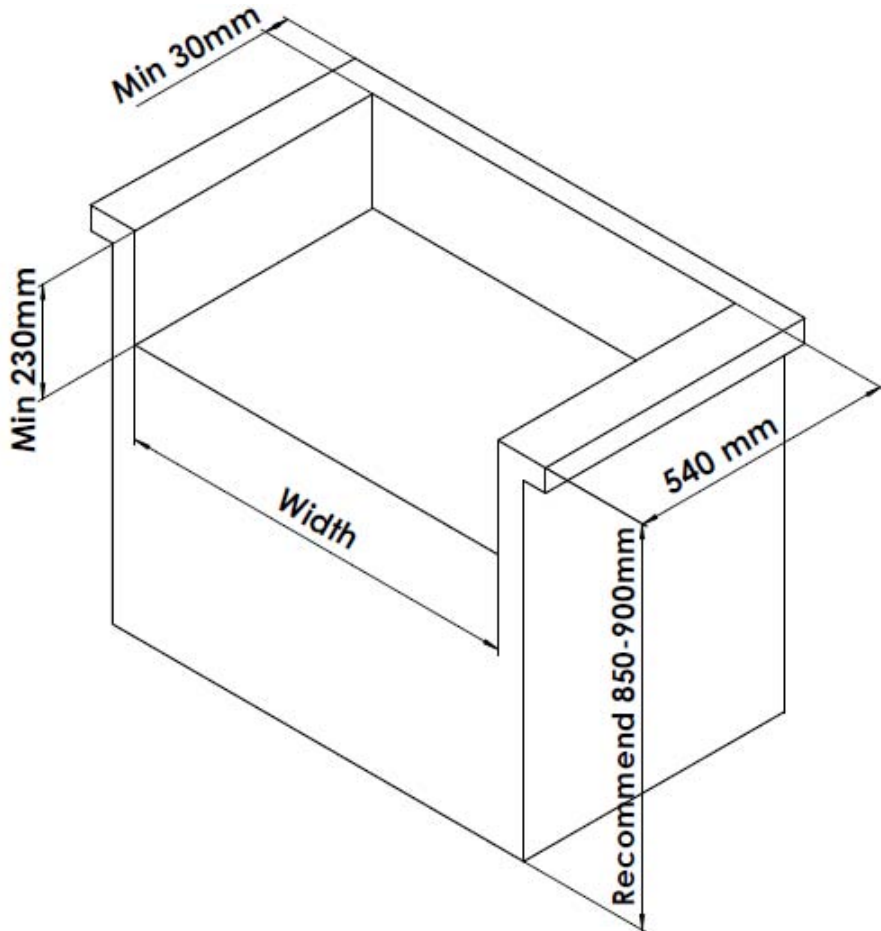


1200 " @ "

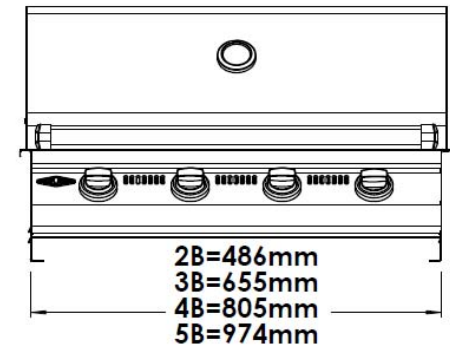
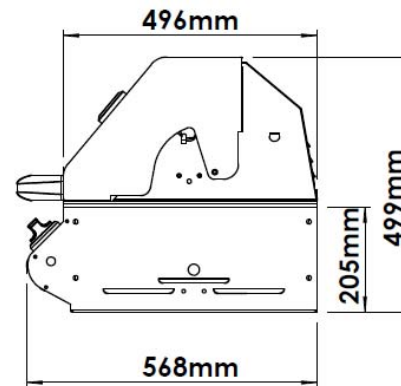
*Serious Barbecues*

To suit s: . . . . .

[mm]	#2	#3	#4	#5
Width	506	675	825	994
Height (Min)	230			
Depth (including 20mm clearance at rear)	540			
Clearance at rear (Min)	30			
Minimum clearance to combustion materials	450			



## General Dimensions



Note: Build-In brackets are required to be attached to BBQ before it can be positioned in brickwork.

All installation work must be done by qualified professionals.