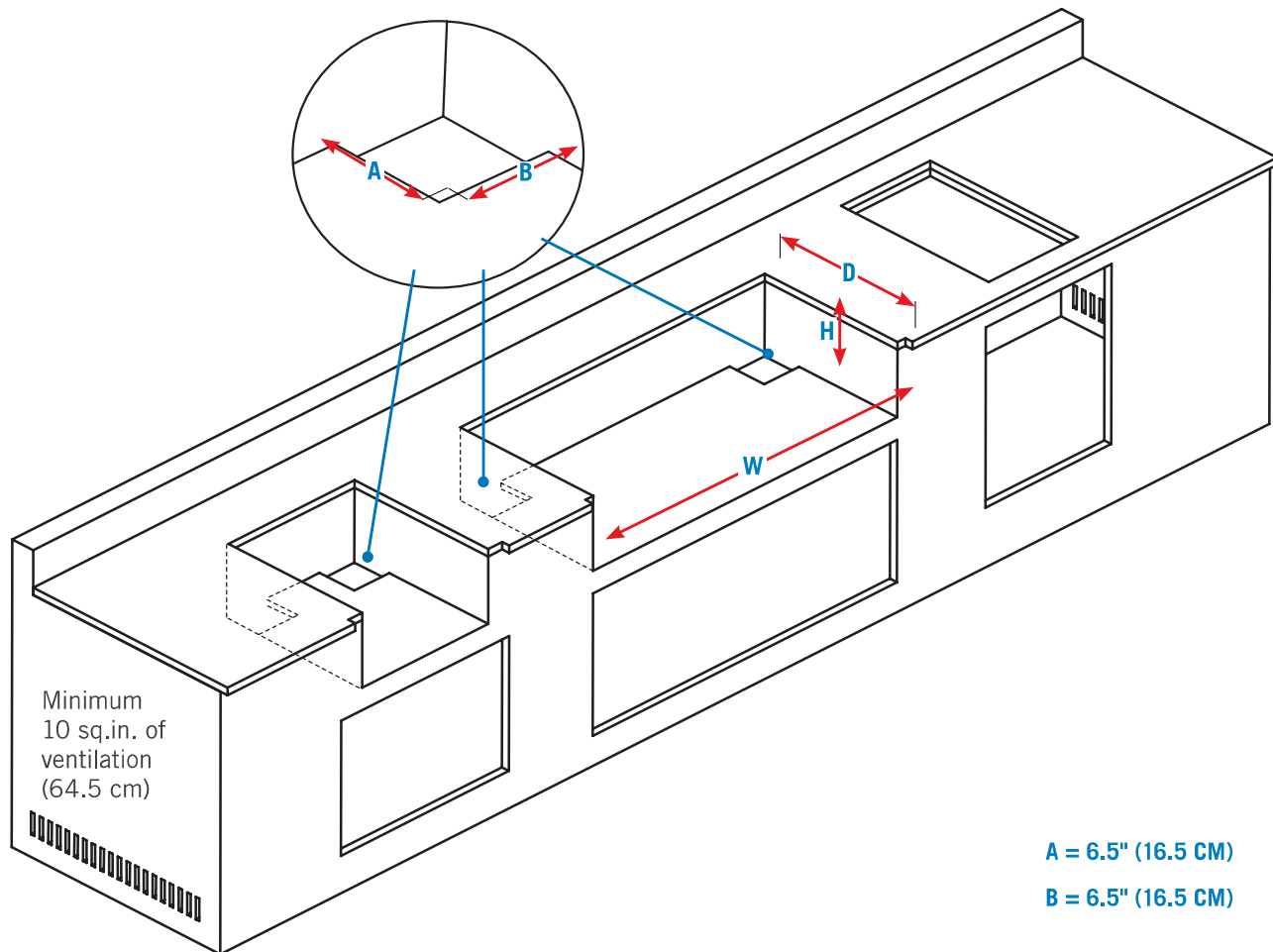


## CUT-OUT DIMENSIONS

MODEL		OPENING DIMENSIONS (INCH / CM)			OPENING DIMENSIONS (INCH / CM) INSTALLING ZERO CLEARANCE LINER		
		W	D	H	W	D	H
BIG32 / BI32	Min.	30 / 76.2	19.4 / 49.3	10.25 / 26.0	36 / 91.4	22.25 / 56.5	11.25 / 28.6
	Max.	32 / 81.3	19.75 / 50.2	-	-	-	-
BIG38	Min.	36 / 91.4	19.4 / 49.3	10.25 / 26.0	42 / 106.7	22.25 / 56.5	11.25 / 28.6
	Max.	38 / 96.5	19.75 / 50.2	-	-	-	-
BIG44	Min.	42 / 106.7	19.4 / 49.3	10.25 / 26.0	48 / 121.9	22.25 / 56.5	11.25 / 28.6
	Max.	44 / 111.8	19.75 / 50.2	-	-	-	-
BIB18	Min.	18 / 45.7	19.4 / 49.3	10.25 / 26.0	24 / 61.0	22.25 / 56.5	11.25 / 28.6
	Max.	20 / 50.8	19.75 / 50.2	-	-	-	-
BIB12 / BI12	Min.	12 / 30.5	19.4 / 49.3	10.25 / 26.0	18 / 45.7	22.25 / 56.5	11.25 / 28.6
	Max.	14 / 35.6	19.75 / 50.2	-	-	-	-
BIB10 / BI10	Min.	10 / 25.4	18.75 / 47.6	6 / 15.2	-	-	-
	Max.	12 / 30.5	20.75 / 52.7	-	-	-	-



**WARNING!** The cabinet frame, the cabinet and the counter top MUST be made from non-combustible material when the appliance is not installed with the Zero Clearance Liner corresponding to your unit. Refer to the parts list in your Assembly Guide for specific information.

